

1105601

SYNTESI 140 230V 50HZ HDPE

3209643_1105601_R19W - R19W (4/12/2020)



Access Platform Division

Via San Francesco d'Assisi, 8 - 46020 Pegognaga (Mantova) - ITALY Tel. +39 0376
554011 - Fax +39 0376 559855

www.imergroup.com

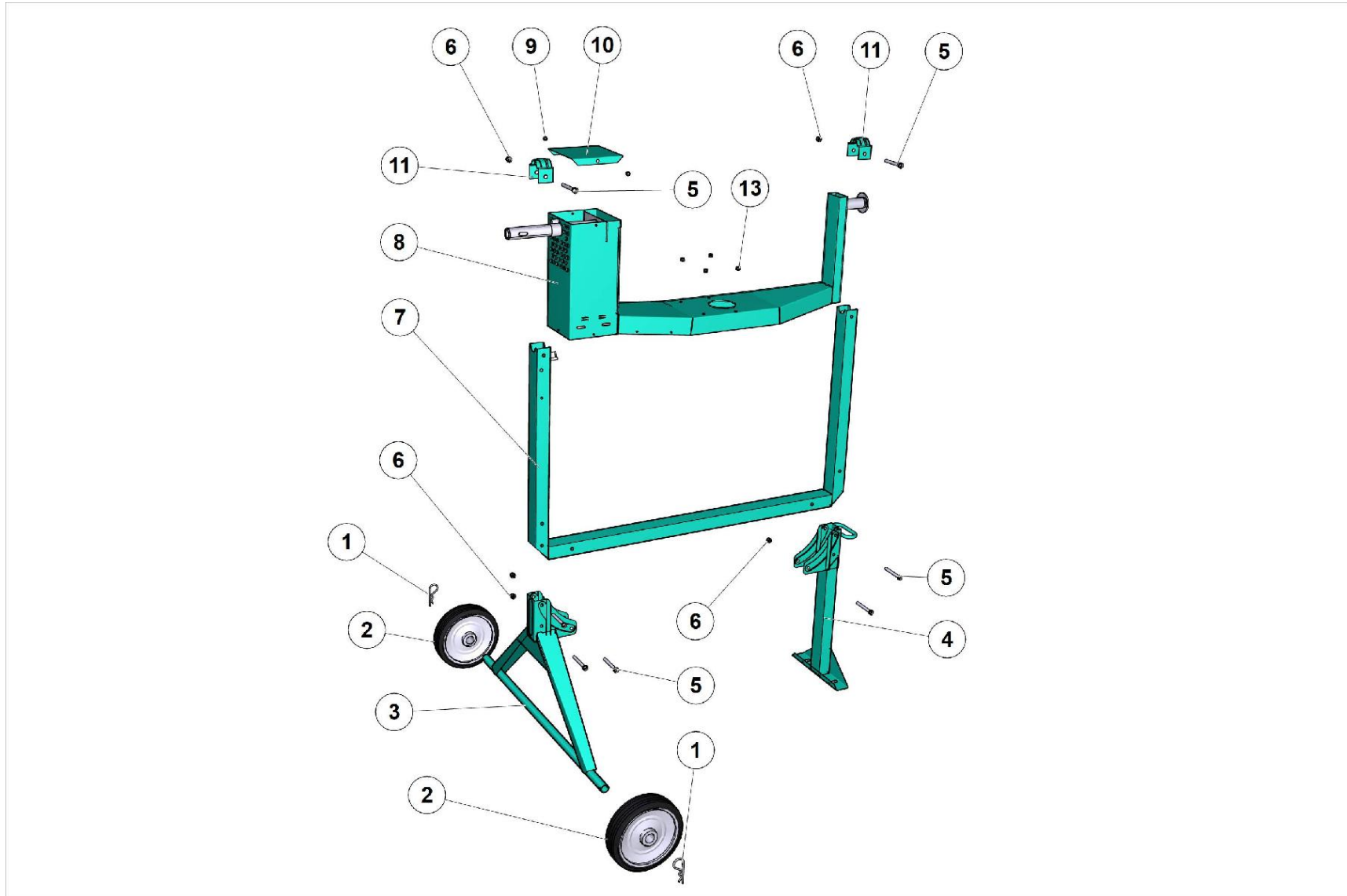
Building Equipment Division

Via della Meccanica, 39 (Zona Industriale Sentino) - 53040 Rapolano Terme
(Siena) - ITALY - Tel. +39 0577 97341 - Fax +39 0577 704077

www.imergroup.com

www.imerglobalcustomercare.com

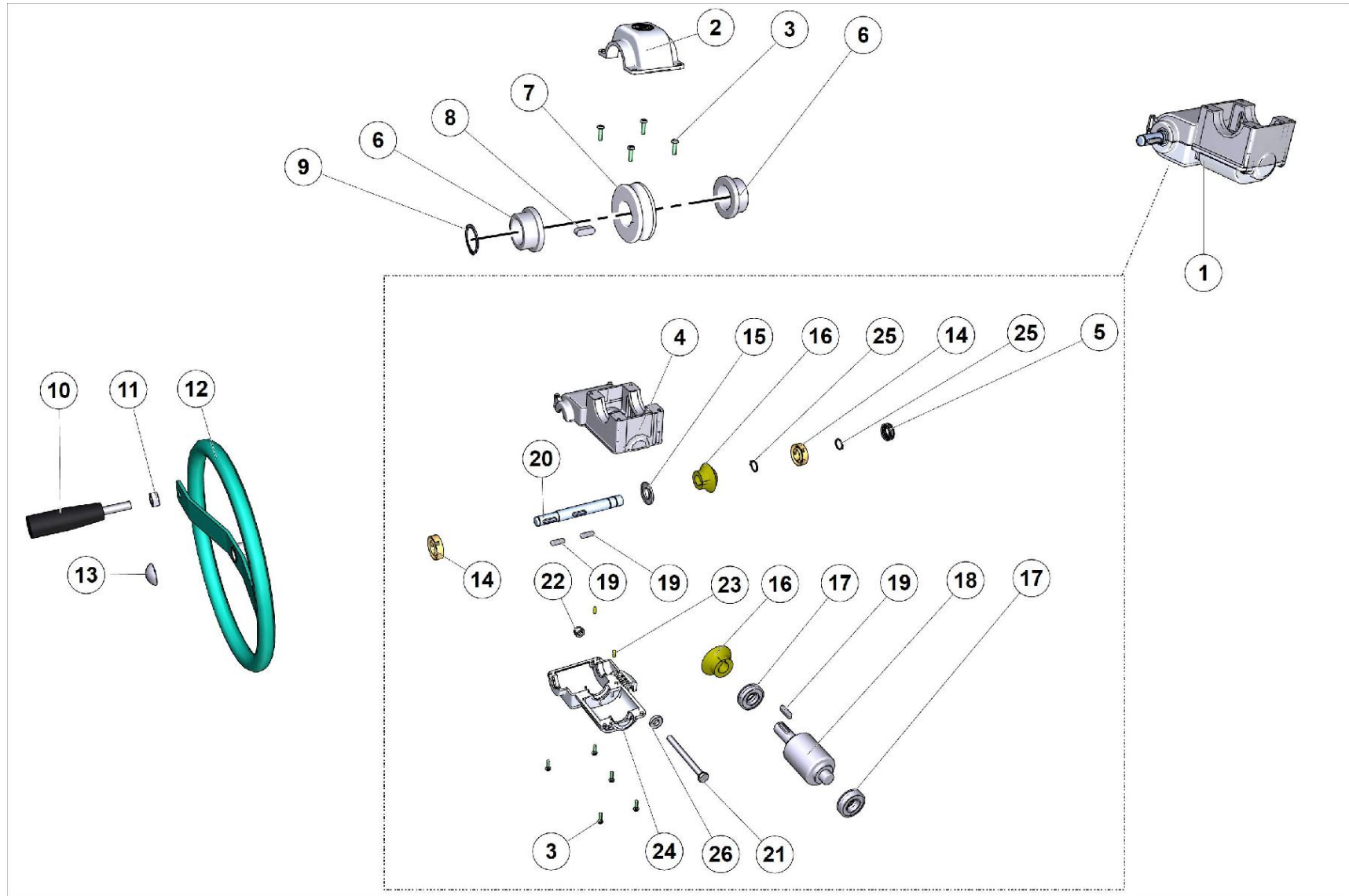
FRAME





N.	CODE	DESCRIPTION	UM	QTY
1	2226700	SPLIT PIN	PZ	2.0
2	3209809	WHEELS	PZ	2.0
3	3209632	UPRIGHT	PZ	1.0
4	3209637	SIDE STAY	PZ	1.0
5	2222072	SCREW	PZ	6.0
6	2223923	LOCK NUT	PZ	6.0
7	3210227	CRADLE	PZ	1.0
8	3231787	S160 PAINTED ARM	PZ	1.0
9	2222420	SCREW	PZ	2.0
10	3209626	Locking	PZ	1.0
11	3209629	U BOLT	PZ	2.0
12	2223924	NUT	PZ	4.0

DRUM REDUCTION



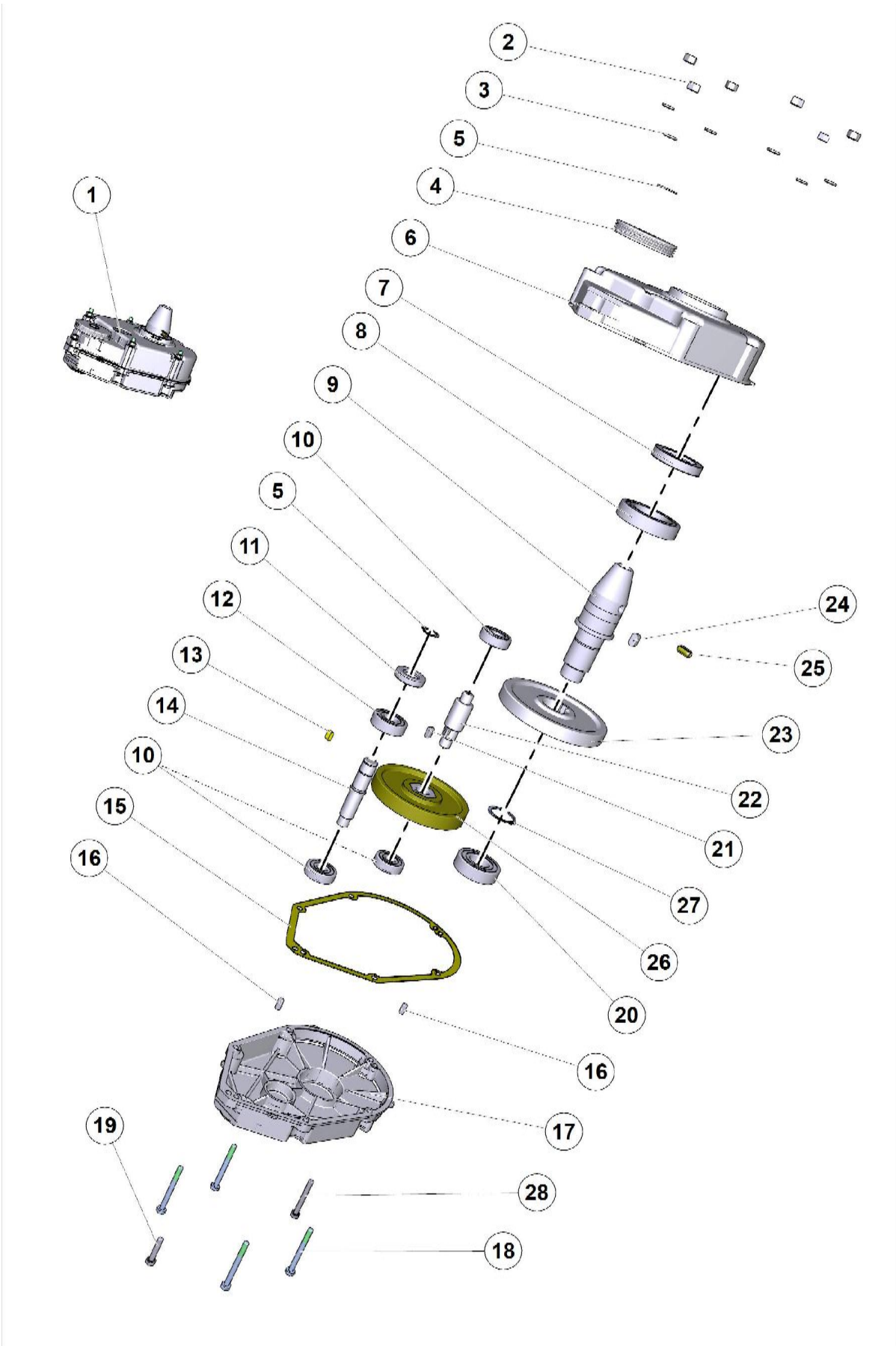


N.	CODE	DESCRIPTION	UM	QTY
1	3209794	Reduction gear	PZ	1.0
2	3209620	Cover	PZ	1.0
3	2222461	SCREW/MN	PZ	8.0
4	3209621	Guard	PZ	1.0
5	3209831	OIL SEAL RING + DUST COVER 26X14X7	PZ	1.0
6	3231500	TILTING WHEEL BUSH S140	PZ	2.0
7	3231569	WHEEL STEEL Z20 TILT. S140	PZ	1.0
8	3229979	TAB UNI 6604 A 8X7X24	PZ	1.0
9	2227240	STOP RING	PZ	1.0
10	3206748	HANDLE	PZ	1.0
11	2223650	NUT	PZ	1.0
12	3227207	HANDWHEEL	PZ	1.0
13	3227377	RING	PZ	1.0
14	3209783	BUSHING	PZ	2.0
15	2224201	WASHER	PZ	1.0
16	3209789	PINION S140	PZ	2.0
17	2204400	Bearing	PZ	2.0
18	3231606	SHAFT WITH WORM SCREW S140 TREATED	PZ	1.0
19	3203117	KEY/CONC.MIXER	PZ	3.0
20	3209784	SHAFT	PZ	1.0
21	2222114	SCREW	PZ	1.0



N.	CODE	DESCRIPTION	UM	QTY
22	2223923	LOCK NUT	PZ	1.0
23	3213828	Gudgeon pin	PZ	2.0
24	3209622	Guard	PZ	1.0
25	1227330	STOP RING	PZ	2.0
26	3209806	Damper	PZ	1.0

GEAR BOX



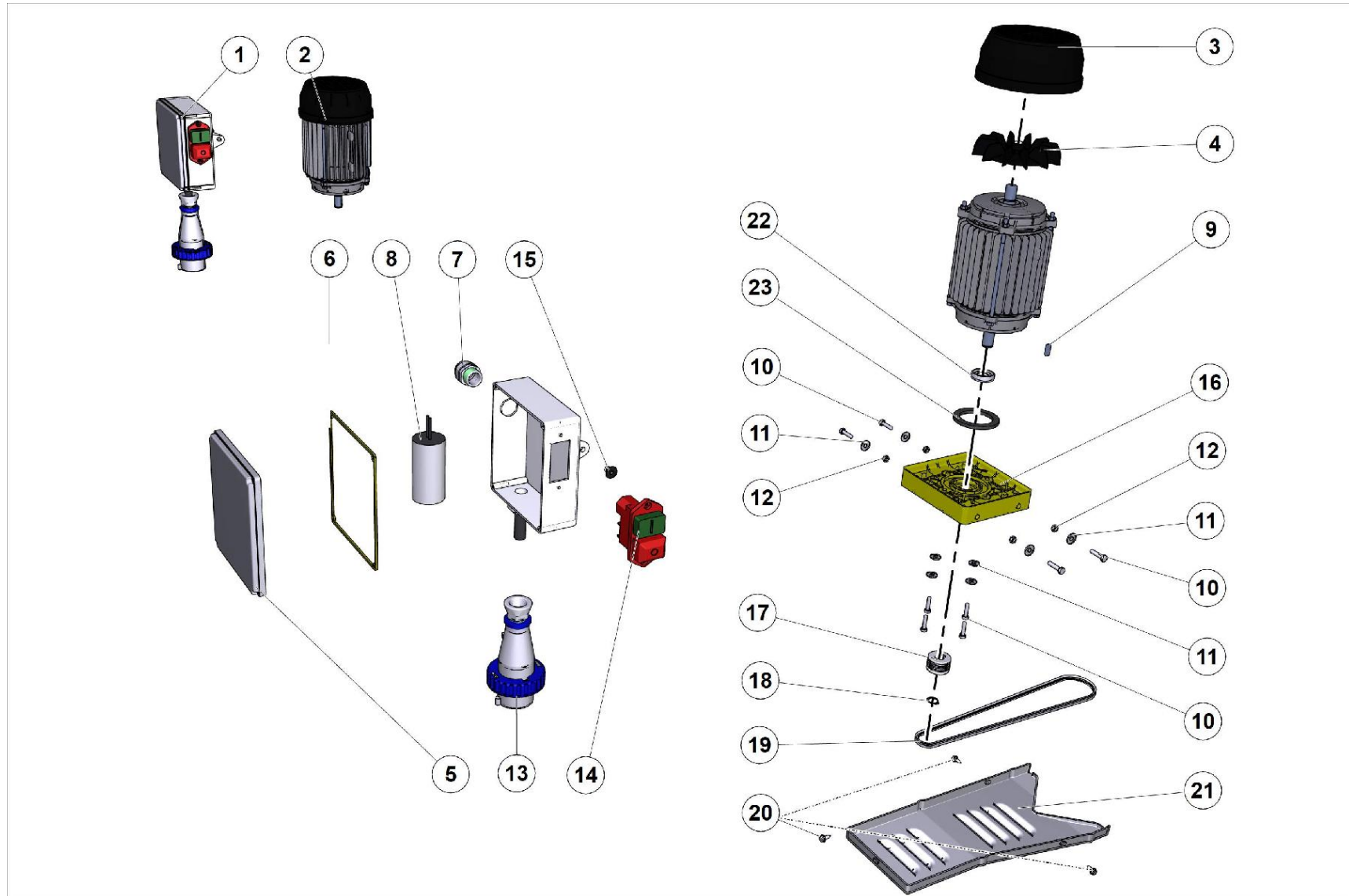


N.	CODE	DESCRIPTION	UM	QTY
1	3209057	Reduction gear	PZ	1.0
2	2223260	NUT	PZ	6.0
3	2224530	ROLLER/MN	PZ	6.0
4	3209044	PULLEY	PZ	1.0
5	1227330	STOP RING	PZ	2.0
6	3209528	REDUCTION GEAR CASING	PZ	1.0
7	2207405	STOP RING	PZ	1.0
8	2204504	Bearing	PZ	1.0
9	2201157	DRIVE SHAFT/MN	PZ	1.0
10	2204420	Bearing	PZ	3.0
11	3209058	STOP RING	PZ	1.0
12	3208982	Bearing	PZ	1.0
13	3209059	KEY	PZ	1.0
14	3209046	SHAFT	PZ	1.0
15	3209056	GASKET	PZ	1.0
16	2228819	Gudgeon pin	PZ	2.0
17	3209529	REDUCTION GEAR CASING	PZ	1.0
18	3209527	SCREW	PZ	4.0
19	2222022	SCREW	PZ	1.0
20	2204550	Bearing	PZ	1.0
21	2229249	KEY	PZ	1.0



N.	CODE	DESCRIPTION	UM	QTY
22	2202823	PINION/CONC.MIXER	PZ	1.0
23	2202492	GEAR WHEEL	PZ	1.0
24	2229500	KEY	PZ	1.0
25	2228360	PIN	PZ	1.0
26	3213904	GEAR WHEEL/CONC.MIXER	PZ	1.0
27	2227240	STOP RING	PZ	1.0
28	2222014	SCREW	PZ	1.0

ELECTRIC MOTOR AND PANEL



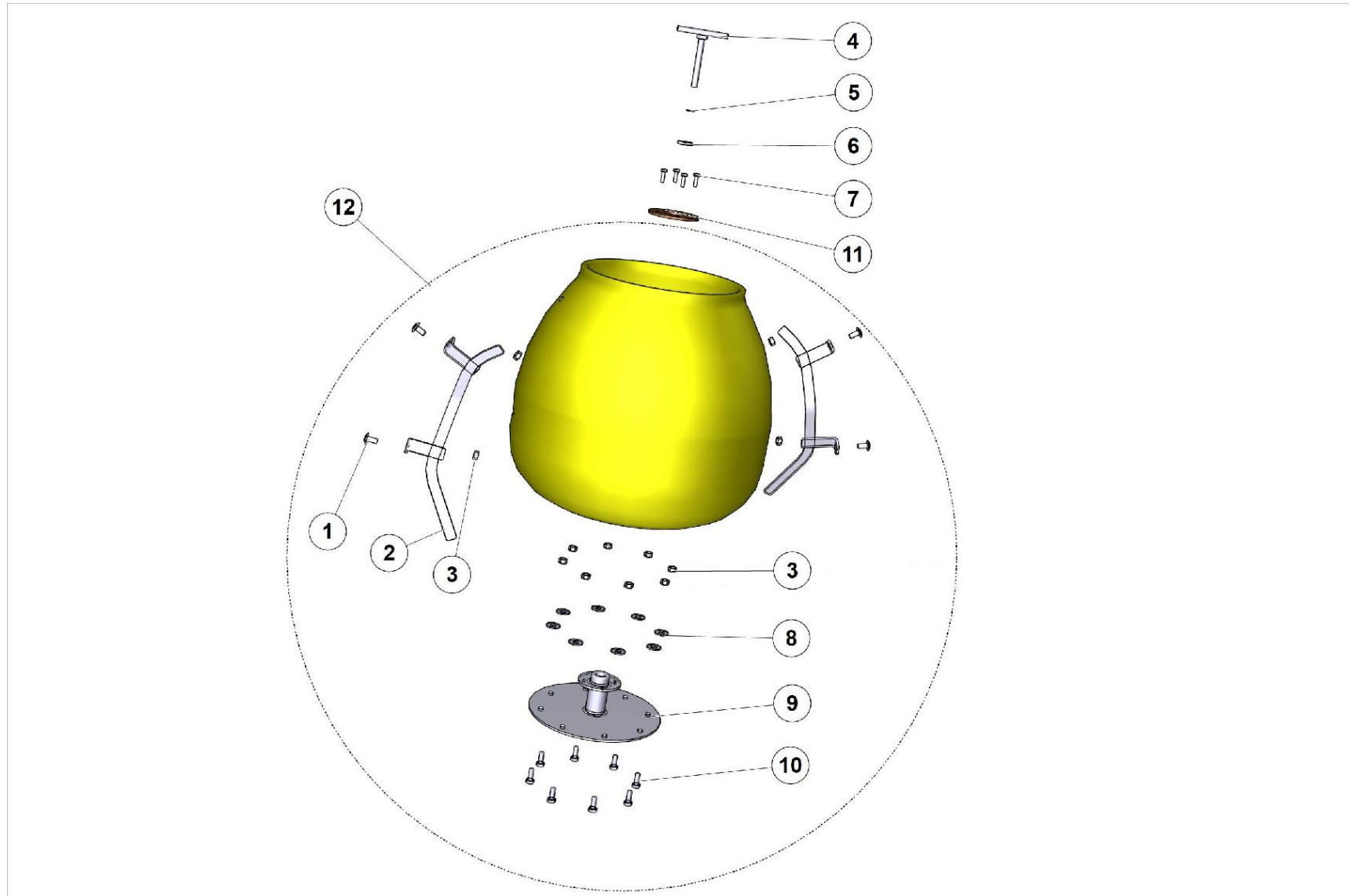


N.	CODE	DESCRIPTION	UM	QTY
1	3209624	ELECTRIC PANEL	PZ	1.0
2	3234564	ELECTRIC MOTOR 0.3 KW 220-240V 50HZ S140	PZ	1.0
3	3295838	Fan cover	PZ	1.0
4	3210651	MOTOR FAN MEC.63 S140 UNIEL.	PZ	1.0
5	3209825	Box	PZ	1.0
6	3234728	GASKET	PZ	1.0
7	3209692	CABLE CLAMP	PZ	1.0
8	3213764	CONDENSER	PZ	1.0
9	3228116	TAB 5X5X16	PZ	1.0
10	3209796	SCREW	PZ	8.0
11	2224528	WASHER	PZ	8.0
12	2223352	NUT	PZ	4.0
13	3203504	PIN	PZ	1.0
14	3209337	SWITCH	PZ	1.0
15	3211175	ALUMINUM RIVET 4.8X16 T16	PZ	2.0
16	3209645	Plate	PZ	1.0
17	3208828	PULLEY/CONC.MIXER	PZ	1.0
18	2227214	STOP RING	PZ	1.0
19	3209650	BELT	PZ	1.0
20	2222420	SCREW	PZ	3.0
21	3209627	Guard	PZ	1.0



N.	CODE	DESCRIPTION	UM	QTY
22	3209824	STOP RING	PZ	1.0
23	3209628	GASKET	PZ	1.0

DRUM





N.	CODE	DESCRIPTION	UM	QTY
1	2222193	PADDLE SCREW/MN	PZ	4.0
2	2250155	MIXING PADDLE/CONC.MIXER	PZ	2.0
3	2223700	NUT/MN	PZ	12.0
4	2222982	T-BOLT/CONC.MIXER	PZ	1.0
5	3206800	STOP RING	PZ	1.0
6	2224428	ROLLER	PZ	1.0
7	2222076	SCREW/SAW	PZ	4.0
8	2224430	WASHER	PZ	8.0
9	3224126	SPARK PLUG	PZ	1.0
10	2222181	SCREW	PZ	8.0
11	3224129	DISC	PZ	1.0
12	1188810	Plastic drum kit Ass'y		1.0



Access Platform Division

Via San Francesco d'Assisi, 8 - 46020 Pegognaga (Mantova) - ITALY Tel. +39 0376
554011 - Fax +39 0376 559855

www.imergroup.com

Building Equipment Division

Via della Meccanica, 39 (Zona Industriale Sentino) - 53040 Rapolano Terme
(Siena) - ITALY - Tel. +39 0577 97341 - Fax +39 0577 704077

www.imergroup.com